



Cisco Catalyst 9300 Series Switches

By Cisco Systems, Inc.

FIPS 140-2 Non-Proprietary Security Policy Level 1 Validation

Version 1.1

March 27, 2023

© Copyright 2022 Cisco Systems, Inc.

This document may be freely reproduced and distributed whole and intact including this Copyright Notice.

Table of Contents

1	INTRODUCTION.....	3
1.1	PURPOSE.....	3
1.2	MODULES VALIDATION LEVEL.....	3
1.3	REFERENCES	4
1.4	TERMINOLOGY	4
1.5	DOCUMENT ORGANIZATION.....	4
2	CISCO SYSTEMS CATALYST 9300 SERIES SWITCHES.....	6
2.1	CRYPTOGRAPHIC MODULES INTERFACES AND PHYSICAL CHARACTERISTICS	7
2.2	ROLES, SERVICES AND AUTHENTICATION	11
2.2.1	User Role	11
2.2.2	Crypto-Officer Role	12
2.2.3	Unauthorized Role	15
2.2.4	Services Available in Non-FIPS Mode of Operation	15
2.3	CRYPTOGRAPHIC ALGORITHMS	17
2.4	CRYPTOGRAPHIC KEY/CSP MANAGEMENT	20
2.5	SELF-TESTS.....	25
2.5.1	Power-On Self-Tests (POSTs)	25
2.5.2	Conditional Tests.....	27
2.6	PHYSICAL SECURITY	27
3	SECURE OPERATION	27
3.1	SYSTEM INITIALIZATION AND CONFIGURATION	28

1 Introduction

1.1 Purpose

This document is the non-proprietary Cryptographic Module Security Policy for the Cisco Catalyst 9300 Series Switches running Cisco IOS-XE Firmware Version 16.9.2, 16.12 or 17.3. This security policy describes how the modules listed below meet the security requirements of FIPS 140-2 level 1, and how to operate the switches with on-board crypto enabled in a secure FIPS 140-2 mode. The Cisco Catalyst 9300 Series has nine primary SKUs that are covered in this validation effort as listed below:

Cisco Catalyst 9300-24T
Cisco Catalyst 9300-24P
Cisco Catalyst 9300-24U
Cisco Catalyst 9300-24UX
Cisco Catalyst 9300-48T
Cisco Catalyst 9300-48P
Cisco Catalyst 9300-48U
Cisco Catalyst 9300-48UX
Cisco Catalyst 9300-48UN

FIPS 140-2 (Federal Information Processing Standards Publication 140-2 — Security Requirements for Cryptographic Modules) details the U.S. Government requirements for cryptographic modules. More information about the FIPS 140-2 standard and validation program is available on the NIST website at <https://csrc.nist.gov/Projects/Cryptographic-Module-Validation-Program>.

1.2 Modules Validation Level

The following table lists the level of validation for each area in the FIPS PUB 140-2.

Table 1: Modules Validation Level

No.	Area Title	Level
1	Cryptographic Module Specification	1
2	Cryptographic Module Ports and Interfaces	1
3	Roles, Services, and Authentication	3
4	Finite State Model	1

5	Physical Security	1
6	Operational Environment	N/A
7	Cryptographic Key management	1
8	Electromagnetic Interface/Electromagnetic Compatibility	1
9	Self-Tests	1
10	Design Assurance	2
11	Mitigation of Other Attacks	N/A
Overall module validation level		1

1.3 References

This document deals only with operations and capabilities of the modules in the technical terms of a FIPS 140-2 cryptographic module security policy. More information is available on the switches from the following sources:

The Cisco Systems website contains information on the full line of Cisco products. Please refer to the following websites for:

Cisco Catalyst 9300 Series Switches -

<https://www.cisco.com/c/en/us/products/switches/catalyst-9300-series-switches/index.html>

For answers to technical or sales related questions, please refer to the contacts listed on the Cisco Systems website at www.cisco.com.

The NIST Validated Modules website (<http://csrc.nist.gov/groups/STM/cmvp/validation.html>) contains contact information for answers to technical or sales-related questions for the modules.

1.4 Terminology

In this document, the Cisco Catalyst 9300 Series Switches is referred to as C9300 switches, the switches, the devices, the cryptographic modules, or the modules.

1.5 Document Organization

The Security Policy document is part of the FIPS 140-2 Submission Package. In addition to this document, the Submission Package contains:

- Vendor Evidence document
- Finite State Machine
- Other supporting documentation as additional references

This document provides an overview of the Cisco Catalyst 9300 Series Switches and explains the secure configuration and operation of the modules. This introduction section is followed by Section 2, which details the general features and functionality of the switches. Section 3 specifically addresses the required configuration for the FIPS-mode of operation.

With the exception of this Non-Proprietary Security Policy, the FIPS 140-2 Validation Submission Documentation is Cisco-proprietary and is releasable only under appropriate non-disclosure agreements. For access to these documents, please contact Cisco Systems.

2 Cisco Systems Catalyst 9300 Series Switches

Cisco Catalyst 9300 Series Switches are the next generation of enterprise-class stackable access-layer switches that are part of the Cisco Catalyst 9000 family. These switches also support full IEEE802.3at PoE+, Cisco UPOE, modular and field-replaceable network modules, redundant fans, and power supplies. In addition, the Cisco Catalyst 9300-based models support a variety of uplink modules for both copper and fiber uplink support. These models add even more flexibility to the interface choices that you can make in a single Cisco Catalyst 9300 Series Switches or in a stack of Cisco Catalyst 9300 Series Switches.

The illustration below shows a representation of Catalyst 9300 switches. All the switch models have similar appearance. The internal capabilities and port numbers distinguish the models.



(a)



(b)

Figure 1: (a) Cisco Catalyst 9300 24 Port Series Switches and (b) Cisco Catalyst 9300 48 Port Series Switches

Cisco Catalyst 9300 series has multigigabit switches with Ethernet, SFP+ and PoE+ ports and the switches also support Cisco StackWise feature. The switches include cryptographic algorithms implemented in IOS-XE firmware as well as hardware ASICs. The modules support RADsec (RADIUS over TLS), IKE/IPSec, TLS, SESA (Symmetric Early Stacking Authentication), SNMPv3, 802.11i, SSHv2, and MACsec.

The cryptographic modules have two mode of operations: FIPS mode and non-FIPS mode. The non-FIPS mode is default for the switches. It is the Crypto-Officer's responsibility to install and configure the modules in FIPS mode of operation. Detailed instructions to setup FIPS mode of operation can be found in *Secure Operation* section of this document.

2.1 Cryptographic Modules Interfaces and Physical Characteristics

The modules are multiple-chip standalone cryptographic modules. The cryptographic boundary is defined as encompassing the "top," "front," "left," "right," and "bottom" surfaces of the chassis for the switches and the casing for the switches. Cisco Catalyst 9300 Series Switches provide support for the following features:

Table 2 - Cisco Catalyst 9300 Series Switches Models and Descriptions

Switch Model	Description
C9300-24T	Stackable 24 10/100/1000 Ethernet ports; 350 WAC power supply; supports StackWise-480 and StackPower.
C9300-48T	Stackable 48 10/100/1000 Ethernet ports; 350 WAC power supply; supports StackWise-480 and StackPower.
C9300-24P	Stackable 24 10/100/1000 PoE+ ports; PoE budget of 445W with 715 WAC power supply; supports StackWise-480 and StackPower.
C9300-48P	Stackable 48 10/100/1000 PoE+ ports; PoE budget of 437W with 715 WAC power supply; supports StackWise-480 and StackPower.
C9300-24U	Stackable 24 10/100/1000 UPoE ports; PoE budget of 830W with 1100 WAC power supply; supports StackWise-480 and StackPower.
C9300-48U	Stackable 48 10/100/1000 UPoE ports; PoE budget of 822 W with 1100 WAC power supply; supports StackWise-480 and StackPower.
C9300-24UX	Stackable 24 Multigigabit Ethernet (100 Mbps or 1/2.5/5/10Gbps) UPoE ports; PoE budget of 560 W with 1100 WAC power supply; supports StackWise-480 and StackPower.
C9300-48UX	Stackable 48 (12 Multigigabit Ethernet and 36 2.5Gbps) UPoE ports; PoE budget of 490 W with 1100 WAC power supply; supports StackWise-480 and StackPower.

Switch Model	Description
C9300-48UN	Stackable 48 Multigigabit Ethernet (100 Mbps or 1/2.5/5 Gbps) UPoE ports; PoE budget of 610 W with 1100 WAC power supply; supports StackWise-480 and StackPower.

All the switch models have similar components, but might have slight cosmetic differences on the bezels.

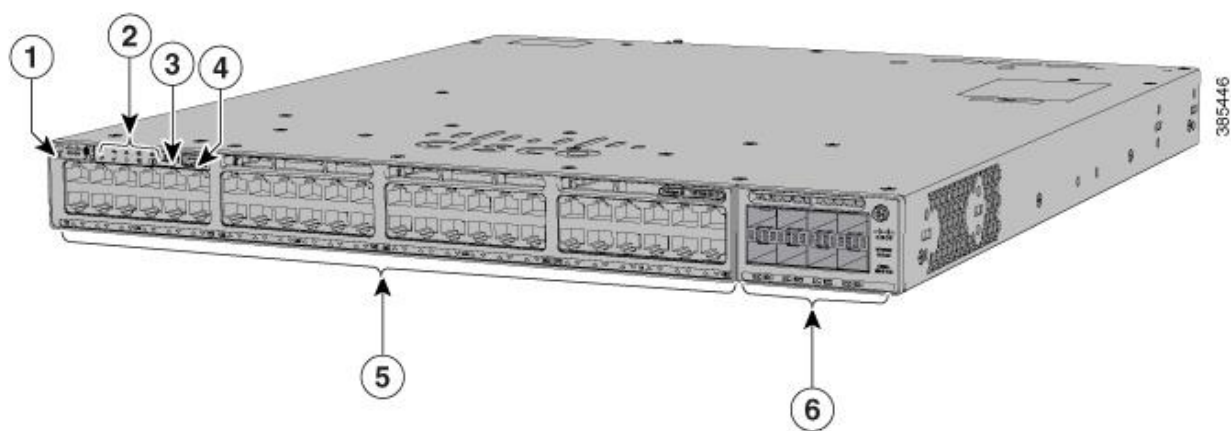


Figure 2: Front Panel Components of Cisco Catalyst 9300 Series Switches

1	Beacon LED	4	USB Type A storage port
2	Status LEDs	5	10/100/1000 PoE+ ports
3	USB mini-Type B (console) port	6	Network module slots

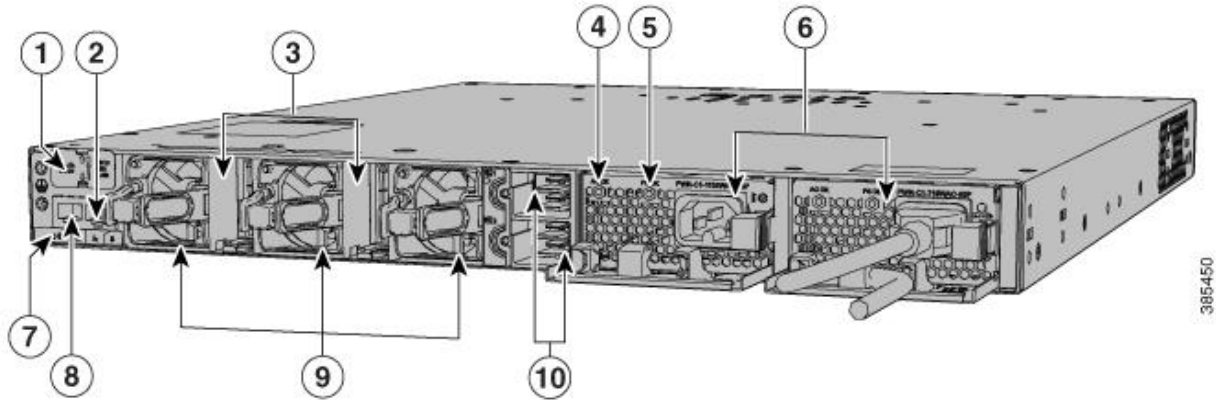


Figure 3: Rear Panel Components of Cisco Catalyst 9300 Series Switches

1	USB3.0-SSD port	6	Power supply modules
2	MGMT (RJ-45 10/100/1000 management port)	7	BEACON LED
3	StackWise-480 port connectors	8	CONSOLE (RJ-45 console port)
4	AC OK (input) status LED	9	Fan modules
5	PS OK (output) status LED	10	StackPower connectors

The modules provide a number of physical and logical interfaces to the device, and the physical interfaces provided by the modules are mapped to the following FIPS 140-2 defined logical interfaces: data input, data output, control input, status output, and power. The logical interfaces and their mapping are described in the following tables.

Table 3: Catalyst 9300 Physical Interface/Logical Interface Mapping

FIPS 140-2 Logical Interface	Physical Interfaces and Cabling
Data Input Interface, Data Output Interface	1000BASE-T ports: RJ-45 connectors, 4-pair Cat 5E UTP cabling Multigigabit-T ports: RJ-45 connectors, 4-pair Cat 5E, Cat 6, Cat 6A UTP cabling 1000BASE-T SFP-based ports: RJ-45 connectors, 4-pair Cat 5E UTP cabling 100BASE-FX, 1000BASE-SX, -LX/LH, -ZX, -BX10, Dense Wavelength-Division Multiplexing (DWDM) and Coarse Wavelength-Division Multiplexing (CWDM) SFP transceivers: LC fiber connectors (single-mode or multimode fiber) 10GBASE-SR, LR, LRM, ER, ZR, DWDM SFP+ transceivers: LC fiber connectors (single-mode or multimode fiber) QSFP SFP+ connector
Control Data Interface, Status Output Interface	1000BASE-T ports: RJ-45 connectors, 4-pair Cat 5E UTP cabling Multigigabit-T ports: RJ-45 connectors, 4-pair Cat 5E, Cat 6, Cat 6A UTP cabling 1000BASE-T SFP-based ports: RJ-45 connectors, 4-pair Cat 5E UTP cabling Cisco StackWise-480 stacking ports: copper-based Cisco StackWise cabling Ethernet management port: RJ-45 connectors, 4-pair Cat 5 UTP cabling Management console port: RJ-45-to-DB9 cable for PC connections
Status Output Interface	Light Emitting Diode (LED)
Power Interface	AC power connector Cisco StackPower: Cisco proprietary power stacking cables

The following physical interfaces are prohibited from usage in FIPS mode of operation:

- Universal Serial Bus (USB) 3.0
- Wireless Console Access with Bluetooth

2.2 Roles, Services and Authentication

The modules support identity-based authentication. Each user is authenticated upon initial access to the modules. There are two roles in the switches that may be assumed: the Crypto-Officer (CO) role and the User role. The administrator of the switches assumes the CO role in order to configure and maintain the switches using CO services, while the Users are processes that exercise security services over the network.

2.2.1 User Role

The role is assumed by users obtaining secured data services. From a logical view, user activity exists in the data-plane via defined Data Input/Output Interfaces. Users are authenticated using EAP methods and 802.1X-REV, and their data is protected with 802.1AE protocols. EAP and 802.1X-REV can use password-based credentials for User role authentication – in such a case the user passwords must be at least eight (8) characters long. The password must contain at least one special character and at least one number character along with six additional characters taken from the 26-upper case, 26-lower case, 10-numbers and 32-special characters (procedurally enforced). This requirement gives $(26 + 26 + 10 + 32 =)$ 94 options of character to choose from. Without repetition of characters, the number of probable combination is the combined probability from 6 characters $(94 \times 93 \times 92 \times 91 \times 90 \times 89)$ times one special character (32) times 1 number (10), which turns out to be $(94 \times 93 \times 92 \times 91 \times 90 \times 89 \times 32 \times 10 =)$ 187,595,543,116,800. Therefore, the associated probability of a successful random attempt is approximately 1 in 187,595,543,116,800, which is less than 1 in 1,000,000 required by FIPS 140-2. In order to successfully guess the sequence in one minute would require the ability to make over 3,126,592,385,280 guesses per second, which far exceeds the operational capabilities of the switches.

EAP and 802.1X-REV can also authenticate the User role via certificate credentials by using 2048-bit RSA keys – in such a case the security strength is 112 bits, so the associated probability of a successful random attempt is 1 in 2^{112} , which is less than 1 in 1,000,000 required by FIPS 140-2. To exceed a one in 100,000 probability of a successful random key guess in one minute, an attacker would have to be capable of approximately 8.65×10^{31} attempts per second, which far exceeds the operational capabilities of the modules.

The services available to the User role accessing the CSPs, the type of access – read (r), write (w), execute (e) and zeroized/delete (d) – and which role accesses the CSPs are listed below:

Table 4 - User Services

Services	Description	Keys and CSPs Access
Secured Dataplane	MACsec Network Functions: authentication, access control, confidentiality and data integrity services provided by the MACsec protocol	Diffie- Hellman (DH) private key, Diffie- Hellman (DH) public key, Diffie- Hellman (DH) Shared Secret, MACsec Security Association Key (SAK), MACsec Connectivity Association Key (CAK), MACsec Key Encryption Key (KEK), MACsec Integrity Check Key (ICK), Pairwise Master Key (PMK), Protected Access Credential (PAC) Key, Pairwise Transient Key (PTK), Key Confirmation Key (KCK) (w, e, d)
Bypass Services	Traffic without cryptographic processing except authentication. The rule must have been previously configured by the Crypto Officer.	Diffie- Hellman (DH) private key, Diffie- Hellman (DH) public key, Diffie- Hellman (DH) Shared Secret (w, e, d)

2.2.2 Crypto-Officer Role

This role is assumed by an authorized CO connecting to the switches via CLI through the console port and performing management functions and modules configuration. Additionally, the stack master is considered CO for stack members. From a logical view, CO activity exists only in the control plane. IOS-XE prompts the CO for their username and password, and, if the password is validated against the CO's password in IOS-XE memory, the CO is allowed entry to the IOS-XE executive program. A CO can assign permission to access the CO role to additional accounts, thereby creating additional COs. The cryptographic modules support RADsec for authentication of COs.

CO passwords must be at a minimum eight (8) characters long. The Secure Operation sections procedurally enforces the password must contain at least one special character and at least one number character along with six additional characters taken from the 26-upper case, 26-lower case, 10-numbers and 32-special characters (procedurally enforced). This requirement gives $(26 + 26 + 10 + 32 =)$ 94 options of character to choose from. Without repetition of characters, the number of probable combination is the combined probability from 6 characters $(94 \times 93 \times 92 \times 91 \times 90 \times 89)$ times one special character (32) times 1 number (10), which turns out to be $(94 \times 93 \times 92 \times 91 \times 90 \times 89 \times 32 \times 10 =)$ 187,595,543,116,800. Therefore, the associated probability of a successful random attempt is approximately 1 in 187,595,543,116,800, which is less than 1 in 1,000,000 required by FIPS 140-2. In order to successfully guess the sequence in one minute would require the ability to make over 3,126,592,385,280 guesses per second, which far exceeds the operational capabilities of the modules.

Additionally, on a stack, the CO is authenticated via possession of a SESA Authorization key that is 128 bits long. So, an attacker would have a 1 in 2^{128} chance of a successful authentication which is much stronger than the one in a million-chance required by FIPS 140-2. To exceed a one in 100,000 probability of a successful random key

guess in one minute, an attacker would have to be capable of approximately 5.67×10^{36} attempts per second, which is less than 1 in 100,000 and far exceeds the operational capabilities of the modules.

The Crypto-Officer role is responsible for the configuration of the switches. The services available to the Crypto Officer role accessing the CSPs, the type of access – read (r), write (w), execute (e) and zeroized/delete (d) – and which role accesses the CSPs are listed below:

Table 5 - Crypto-Officer Services

Services	Description	Keys and CSPs Access
Define Rules and Filters	<p>Define network interfaces and settings, create command aliases, set the protocols the switch will support, enable interfaces and network services, set system date and time, and load authentication information.</p> <p>Log off users, shutdown or reload the switch, manually back up switch configurations, view complete configurations, manage user rights, and restore switch configurations.</p> <p>Create packet Filters that are applied to User data streams on each interface. Each Filter consists of a set of Rules, which define a set of packets to permit or deny based on characteristics such as protocol ID, addresses, ports, TCP connection establishment, or packet direction.</p>	Enable password (r, w, e, d)
View Status Functions	View the switch configuration, routing tables, active sessions, health, temperature, memory status, voltage, packet statistics, review accounting logs, and view physical interface status.	Enable password (r, w, e, d)
Configure Encryption/Bypass	Set up the configuration tables for IP tunneling. Set pre-shared keys and algorithms to be used for each IP range or allow plaintext packets to be set from specified IP address.	[IKE session encrypt key, IKE session authentication key, ISAKMP pre-shared, IKE authentication private Key, IKE authentication public key, skeyid, skeyid_d, SKEYSEED, IPsec encryption key, IPsec

Services	Description	Keys and CSPs Access
		authentication key] (w, d) and Enable password (r)
Configure Remote Authentication	Set up authentication account for users and devices using RADSec (RADIUS over TLS)	RADIUS secret, RADIUS Key wrap key, TLS Server RSA private key, TLS Server RSA public key, TLS pre-master secret, TLS encryption keys, TLS authentication keys, DRBG entropy input, DRBG V, DRBG Key (w, d)
SESA	Configure Secure Stacking (SESA) manually on each of the member switches.	SESA Authorization Key, SESA Master Session Key, SESA Derived Session Keys (w, e, d)
HTTPs	HTTP server over TLS (1.2)	TLS Server RSA private key, TLS Server RSA public key, TLS pre-master secret, TLS encryption keys, TLS authentication keys, DRBG entropy input, DRBG V, DRBG Key (w, e, d)
SSH v2	Configure SSH v2 parameter, provide entry and output of CSPs.	DH private DH public key, DH Shared Secret, SSH RSA private key, SSH RSA public key, SSH session key, SSH session authentication key, DRBG entropy input, DRBG V, DRBG Key (w, e, d)
SNMPv3	Configure SNMPv3 MIB and monitor status	[SNMPv3 Password, snmpEngineID] (r, w, d), SNMP session key, DRBG entropy input, DRBG V, DRBG Key (w, e, d)
IPsec VPN	Configure IPsec VPN parameters, provide entry and output of CSPs.	skeyid, skeyid_d, SKEYSEED, IKE session encrypt key, IKE session authentication key, ISAKMP pre-shared, IKE authentication

Services	Description	Keys and CSPs Access
		private Key, IKE authentication public key, IPsec encryption key, IPsec authentication key, DRBG entropy input, DRBG V, DRBG Key (w, e, d)
Self-Tests	Execute the FIPS 140 start-up tests on demand	N/A
User services	The Crypto Officer has access to all User services.	User Password (r, w, e, d)
Zeroization	Zeroize cryptographic keys/CSPs by running the zeroization methods classified in table 8, Zeroization column.	All CSPs (d)

2.2.3 Unauthorized Role

The services for someone without an authorized role are: passing traffic through the devices, view the status output from the modules' LED pins, and cycle power.

2.2.4 Services Available in Non-FIPS Mode of Operation

The cryptographic modules in addition to FIPS mode of operation can operate in a non-FIPS mode of operation. This is not a recommended operational mode but because the associated RFC's for the following protocols allow for non-approved algorithms and non-approved key sizes a non-approved mode of operation exist. The modules are considered to be in a non-FIPS mode of operation when it is not configured per section 3 (Secure Operation of the Switches). The FIPS approved services listed in table 5 become non-approved services when using any non-approved algorithms or non-approved key or curve sizes.

Table 6 - Non-approved algorithms in the Non-FIPS mode services

Services ¹	Non-Approved Algorithms
	Hashing: MD5
IPsec	MACing: HMAC MD5

¹ These approved services become non-approved when using any of non-approved algorithms or non-approved key or curve sizes. When using approved algorithms and key sizes these services are approved.

	Symmetric: DES, RC4, Triple-DES
	Asymmetric: 768-bit/1024-bit RSA (key transport), 1024-bit Diffie-Hellman
	Hashing: MD5
SSH	MACing: HMAC MD5
	Symmetric: DES, Triple-DES
	Asymmetric: 768-bit/1024-bit RSA (key transport), 1024-bit Diffie-Hellman
TLS	Symmetric: DES, RC4, Triple-DES
	Asymmetric: 768-bit/1024-bit RSA (key transport), 1024-bit Diffie-Hellman
SNMP v1/v2	Hashing: MD5
	Symmetric: DES

Neither the User nor the Crypto-Officer are allowed to operate any of these services while in FIPS mode of operation.

2.3 Cryptographic Algorithms

The modules implement a variety of approved and non-approved algorithms.

Approved Cryptographic Algorithms

The switches support the following FIPS-2 approved algorithm implementations:

Table 7 – CAVP Algorithm Certificates

Algorithms	CAVP #A1462: IOS Common Cryptographic Module (IC2M) Rel5a ²	CAVP #C431: CiscoSSL FIPS Object Module 6.2 ³	CAVP #4769: UADP MSC 1.0	CAVP #C220: Firmware Image Signing
AES	CBC (128, 192, 256), CFB128 (128, 192, 256), CMAC (128, 256), CTR (128, 192, 256), ECB (128, 192, 256), GCM (128, 192, 256)	CBC(128, 192, 256), CCM(128, 192, 256), CFB1/8/128(128, 192, 256), CMAC(128, 192, 256), CTR(128, 192, 256), ECB(128, 192, 256), GCM(128, 192, 256), KW(128, 192, 256), OFB (128, 192, 256) XTS(128, 256)	ECB (128, 256) GCM (128, 256)	N/A
KAS-ECC-SSC (NIST SP 800-56Arev3)	KAS-ECC-SSC: Curves: P-256 P-384	N/A	N/A	N/A
KAS-FFC-SSC (SP 800-56Arev3)	KAS-FFC-SSC: modp-2048 modp-3072 modp-4096	N/A	N/A	N/A
DRBG	CTR-AES (256)	CTR-AES (128, 192, 256), SHA-1, SHA2-224, SHA2- 384, SHA2-512 HMAC (SHA-1, SHA2-224, SHA2-384, SHA2-512)	N/A	N/A
HMAC	HMAC SHA-1, HMAC SHA2-256, HMAC SHA2- 384, HMAC SHA2-512	HMAC SHA-1, HMAC SHA2- 224, HMAC SHA2-384, HMAC SHA2-512	N/A	N/A

² AES-GCM was tested as part of CAVP algorithm testing (A1462), but it is not utilized by the modules.

³ AES-XTS was tested as part of CAVP algorithm testing (C:431), but it is not utilized by the modules.

ECDSA (186-4)	KeyGen, KeyVer, SigGen, SigVer (Curve: P-256, P-384)	KeyGen, KeyVer, SigGen, SigVer (Curve: B-233, B-283, B-409, B-571, K-233, K-283, K-409, K-571, P-224, P-256, P-384, P-521)	N/A	N/A
CVL	IKEv2 KDF SNMP KDF SRTP KDF SSH KDF	IKEv2 KDF SNMP KDF SRTP KDF SSH KDF TLS KDF	N/A	N/A
KBKDF	SP800-108	SP800-108	N/A	N/A
RSA	KeyGen (186-4) 2048-, 3072-bits modulus SigGen (186-4 PKCS 1.5) 2048-, 3072-bits modulus, SigVer (186-2 PKCS 1.5) 1024-, 1536-, 2048-, 3072-, 4096-bits modulus SigVer (186-4 PKCS 1.5) 1024-, 2048-, 3072-bits modulus	KeyGen (186-4) 2048-, 3072-bits modulus SigGen (186-2 ANSI X9.31, PKCS 1.5, PKCSPSS) 4096-bits modulus, SigGen (186-4 ANSI X9.31, PKCS 1.5, PKCSPSS) 2048-, 3072-bits modulus, SigVer (186-4 ANSI X9.31, PKCS 1.5, PKCSPSS) 2048-, 3072-bits modulus	N/A	RSA 2048 with SHA-512 SigVer
SHS	SHA-1, SHA2-256, SHA2-384, SHA2-512	SHA-1, SHA2-224, SHA2-384, SHA2-512	N/A	SHA-512
DSA	N/A	Keygen (2048, 3072), PQGGen (2048, 3072), PQGVer (2048, 3072), Sigggen (2048, 3072), Sigver (2048, 3072)	N/A	N/A
CKG	Vendor affirmed	Vendor affirmed	N/A	N/A

KTS (AES Cert. #C431; key establishment methodology provides between 128 and 256 bits of encryption strength)

KTS (AES Cert. #A1462; key establishment methodology provides between 128 and 256 bits of encryption strength)

KAS (KAS-SSC Cert. #A1462, CVL Cert. #A1462; key establishment methodology provides between 112 and 192 bits of encryption strength)

The KAS FFC and KAS ECC strengths are as follows:

KAS-ECC-SSC: 128 and 192 bits of encryption strength

KAS-FFC-SSC: 112 and 152 bits of encryption strength

Notes:

There are some algorithm modes that were tested but not implemented by the modules. Only the algorithms, modes, and key sizes that are implemented by the modules are shown in this table.

The modules' AES-GCM implementation conforms to IG A.5 scenario #1 following RFC 5288 for TLS and RFC 7296 for IPSec/IKEv2. The modules are compatible with TLSv1.2 and provides support for the acceptable GCM cipher suites from SP 800-52 Rev1, Section 3.3.1.

The 64-bit counter portion of the 96-bit IV is set by the modules within its cryptographic boundary.

When the IV exhausts the maximum number of possible values (0 to $2^{64} - 1$) for a given session key, the first party, client or server, to encounter this condition will trigger a handshake to establish a new encryption key. In case the modules' power is lost and then restored, a new key for use with the AES GCM encryption/decryption shall be established. The modules use RFC 7296 compliant IKEv2 to establish the shared secret SKEYSEED from which the AES GCM encryption keys are derived. When the IV exhausts the maximum number of possible values for a given session key, the first party, client or server, to encounter this condition will trigger a handshake to establish a new encryption key. In case the modules' power is lost and then restored, a new key for use with the AES GCM encryption/decryption shall be established.

No parts of the SSH, TLS and IPSec protocols, other than the KDFs, have been tested by the CAVP and CMVP.

In accordance with FIPS 140-2 IG D.12, the cryptographic modules perform Cryptographic Key Generation as per scenario 1 of section 5 in SP800-133. The resulting generated symmetric key and the seed used in the asymmetric key generation are the unmodified output from SP800-90A DRBG.

The module utilizes AES Key wrap (AES Certs. #C431) in accordance with SP800-38F.

Non-FIPS Approved Algorithms Allowed in FIPS Mode

RSA (key wrapping; key establishment methodology provides between 112 and 128 bits of encryption strength; non-compliant less than 112 bits of encryption strength) when used with modulus size of 2048 bits or greater

NDRNG to seed FIPS approved DRBG (256 bits)

Non-FIPS Approved Algorithms

The cryptographic modules implement the following non-Approved algorithms that are not used in FIPS mode of operation:

MD5

HMAC-MD5

RC4

Triple-DES

DES

HMAC-SHA1 with key size less than 112-bits

2.4 Cryptographic Key/CSP Management

The modules securely administer both cryptographic keys and other critical security parameters such as passwords. All keys are also protected by the password-protection on the CO role login, and can be zeroized by the CO. Keys are exchanged and entered electronically. Persistent keys are entered by the CO via the console port CLI, transient keys are generated or established and stored in DRAM.

Note that the command **'fips zeroize'** will zeroize a large majority of the listed CSPs. This command essentially results in a device reboot and therefore forces a power cycle, zeroizing all the keys listed below with "Power cycle" in the Zeroization Method column.

Table 8 lists the secret and private cryptographic keys and CSPs used by the modules.

Table 8 – Cryptographic Keys and CSPs

ID	Algorithm	Size	Description	Storage	Zeroization Method
General Keys/CSPs					
DRBG V	800-90A CTR_DRBG	128-bits	Generated by entropy source via the CTR_DRBG derivation function. It is stored in DRAM with plaintext form	DRAM (plaintext)	Power cycle
DRBG key	SP 800-90A CTR_DRBG	256-bits	This is the 256-bit DRBG key used for SP 800-90 CTR_DRBG	DRAM (plaintext)	Power cycle
DRBG entropy input	SP 800-90A CTR_DRBG	256-bits	HW based entropy source output used to construct seed	DRAM (plaintext)	Power cycle
DRBG seed	SP 800-90A CTR_DRBG	256-bits	Input to the DRBG that determines the internal state of the DRBG. Generated using DRBG derivation function that includes the entropy input from the entropy source	DRAM (plaintext)	Power cycle

User password	Password	Variable (8+ characters)	Used to authenticate local users	NVRAM (plaintext)	Zeroized by overwriting with new password
Enable secret	Password	Variable (8+ characters)	Used to authenticate local users at a higher privilege level	NVRAM (plaintext)	Zeroized by overwriting with new password
RADIUS secret	Shared Secret	Variable (8+ characters)	The RADIUS Shared Secret	NVRAM (plaintext)	'# no radius-server key'
RADIUS key wrap key	AES	128 bits	Used to protect SAK for RADsec (RADIUS over TLS)	NVRAM (plaintext)	Zeroized by overwriting with new key
Diffie-Hellman public key	DH	2048-4096 bits	The public exponent used in Diffie-Hellman (DH) exchange.	DRAM (plaintext)	Power cycle
Diffie-Hellman private key	DH	224-379 bits	The private exponent used in Diffie-Hellman (DH) exchange.	DRAM (plaintext)	Automatically after shared secret generated.
Diffie-Hellman shared secret	DH	2048-4096 bits	This is the shared secret agreed upon as part of DH exchange	DRAM (plaintext)	Zeroized upon deletion
SSH					
SSHv2 RSA public key	RSA	2048-3072 bits modulus	SSH public key used in SSH session establishment	DRAM (plaintext)	'# crypto key zeroize rsa'
SSHv2 RSA private key	RSA	2048-3072 bits modulus	SSH private key used in SSH session establishment	NVRAM (plaintext)	'# crypto key zeroize rsa'
SSHv2 session key	AES	256-bits	This is the SSH session symmetric key.	DRAM (plaintext)	Automatically when SSH session terminated

TLS

TLS server RSA public key	RSA	2048-3072 bits modulus	RSA public key used in TLS negotiations.	DRAM (plaintext)	'# crypto key zeroize rsa'
TLS server RSA private key	RSA	2048-3072 bits modulus	Identity certificates for module itself and also used in TLS negotiations.	NVRAM (plaintext)	'# crypto key zeroize rsa'
TLS pre-master secret	Keying material	384-bits	Shared secret created using asymmetric cryptography from which new HTTPS session keys can be created.	DRAM (plaintext)	Automatically when session terminated.
TLS Master Secret	Keying material	48-bits	Keying material used to derive other HTTPS/TLS keys. This key was derived from the TLS pre-master secret during the TLS session establishment	DRAM (plaintext)	Automatically when session terminated.
TLS encryption key	AES	256-bits	This is the TLS session key	DRAM (plaintext)	Automatically when session terminated.
TLS Integrity Key	HMAC-SHA 256/384	256-384 bits	Used for TLS integrity to assure the traffic integrity. This key was derived in the module.	DRAM (plaintext)	Automatically when session terminated.

SESA

SESA authorization key	AES	128 bits	Used to authorize members of a single stack on Incredible Units. Used as input to SP800-108 derivation methods to derive four additional 128 fields to transfer the Master Session Key and additional aggressive exchange material	NVRAM (plaintext)	'no fips authorization-key'
------------------------	-----	----------	---	-------------------	-----------------------------

SESA master session Key	AES	128 bits	Used to derive SESA session key	DRAM (plaintext)	Upon completion of key exchange
SESA derived session key	AES	128 bits and 192 bits	Used to protect traffic over stacking ports	DRAM (plaintext)	Upon bringing down the stack
SNMPv3					
snmpEngine ID	Shared secret	32-bits	Unique string to identify the SNMP engine	NVRAM (plaintext)	'# no snmp-server engineID local engineid-string', overwritten with new engine ID
SNMPv3 password	shared secret	256 bits	This secret is used to derive HMAC-SHA1 key for SNMPv3 Authentication	DRAM (plaintext)	Power cycle
SNMPv3 session key	AES	128-bit	Encrypts SNMPv3 traffic	DRAM (plaintext)	Power cycle
802.11i					
802.11i Pre-shared Key (PSK)	Shared secret	Variable (8+ characters)	The PSK is used to derive the PMK for 802.11i communications	NVRAM (plaintext)	Zeroized by overwriting with new key
802.11i Pairwise Master Key (PMK)	HMAC SHA-1	512-bits	The PMK is a secret shared between an 802.11 supplicant and authenticator, and is used to establish the other 802.11i keys.	DRAM (plaintext)	Power cycle
802.11i Pairwise Transient Key (PTK)	AES-CCM	256-bits	The PTK, also known as the CCMP key, is the 802.11i session key for unicast communications.	DRAM (plaintext)	Power cycle

802.11i Temporal Key (TK)	AES-CCM	128-bits	Encrypt/decrypt unicast traffic	DRAM (plaintext)	Power cycle
802.11i Group Master Key (GTK)	HMAC SHA-1	256 bits	The secret shared between an 802.11 supplicant and authenticator for broadcast or multicast communications.	DRAM (plaintext)	Power cycle
802.11i Group Temporal Key (GTK)	AES-CCM	128-bits	802.11i session key for broadcast or multicast traffic	DRAM (plaintext)	Power cycle
IPSec					
Skeyid	Shared Secret	160 bits	Used for key agreement in IKE. This key was derived in the module	DRAM (plaintext)	Power cycle
skeyid_d	Shared Secret	160 bits	Used for key agreement in IKE	DRAM (plaintext)	Power cycle
SKYSEED	Keying material	160 bits	A shared secret known only to IKE peers. It was derived via key derivation function defined in SP800-135 KDF (IKEv2) and it will be used for deriving IKE session authentication key.	DRAM (plaintext)	Automatically when IPSec/IKE session is terminated
IKE session encryption key	AES	256-bit AES	Derived in the module used for IKE payload integrity verification	DRAM (plaintext)	Power cycle
IKE session authenticati on key	HMAC- SHA1	160 bits	HMAC-SHA1 key	DRAM (plaintext)	Power cycle

IKE authenticati on private Key	RSA/ECDSA A	RSA (2048 bits) or ECDSA (Curves: P-256/P-384)	RSA/ECDSA private key used in IKE authentication. This key is generated by calling SP800-90A DRBG.	DRAM (plaintext)	Zeroized by RSA/ECDSA keypair deletion command
IKE authenticati on public key	RSA/ECDSA A	RSA (2048 bits) or ECDSA (Curves: P-256/P-384)	RSA/ECDSA public key used in IKE authentication. The key is derived in compliance with FIPS 186-4 RSA/ECDSA key pair generation method in the module.	DRAM (plaintext)	Zeroized by RSA/ECDSA keypair deletion command
ISAKMP pre-shared key	pre-shared key	Variable (8+ characters)	This key was configured by CO and used for User role authentication using IKE Pre-shared key based authentication mechanism	NVRAM (plaintext)	Power cycle
IPSec session encryption key	AES	256-bit AES	Derived in the module used for IKE payload integrity verification	DRAM (plaintext)	Power cycle
IPSec session authenticati on key	HMAC-SHA1	160 bits	HMAC-SHA1 key	DRAM (plaintext)	Power cycle

2.5 Self-Tests

The modules include an array of self-tests that are run during startup and periodically during operations to prevent any secure data from being released and to insure all components are functioning correctly.

2.5.1 Power-On Self-Tests (POSTs)

- Firmware Integrity Test (RSA PKCS#1 v1.5 (2048 bits) signature verification with SHA-512)
- IC2M Algorithm Implementation Known Answer Tests:
 - AES (encrypt/decrypt) KATs
 - AES GCM KAT

- AES-CMAC KAT
- DRBG KAT
- ECDSA Sign/Verify
- HMAC-SHA-1, -256, -384, 512 KATs
- ECC Primitive “Z” KAT (NIST SP 800-56Arev3)
- FFC Primitive “Z” KAT (NIST SP 800-56Arev3)
- IKEv2 KDF KAT
- SNMP KDF KAT
- SRTP KDF KAT
- SSH KDF KAT
- RSA KAT
- SHA-1, -256, -384, -512 KATs
- KBKDF (Counter) KAT
- CiscoSSL FIPS Object Module Algorithm Implementation Known Answer Tests:
 - AES (encrypt/decrypt) KATs
 - AES-CCM (encrypt/decrypt) KATs
 - AES-GCM (encrypt/decrypt) KATs
 - AES-CMAC KAT
 - AES-XTS (encrypt/decrypt) KATs
 - SP800-90A DRBG KAT
 - HASH_DRBG KAT
 - HMAC_DRBG KAT
 - CTR_DRBG KAT
 - FIPS 186-4 DSA Sign/Verify Test
 - FIPS 186-4 ECDSA Sign/Verify Test
 - HMAC-SHA1, -224, -256, -384, -512 KATs
 - ECC CDH KAT
 - TLS KDF KAT
 - FIPS 186-4 RSA (sign/verify) KATs
 - SHA-1 KAT
 - Software Integrity Test (HMAC-SHA1)

- UADP ASIC Hardware Algorithm Implementation Known Answer Tests:
 - AES (encrypt/decrypt) KATs

2.5.2 Conditional Tests

- Conditional Bypass test
- IC2M Algorithm Implementation Conditional Tests:
 - Pairwise consistency test for RSA
 - Pairwise consistency test for ECDSA
 - SP800-90A approved DRBG health tests and continuous random number generation test for non-approved RNG (entropy)
- CiscoSSL FIPS Object Module Algorithm Implementation Conditional Tests:
 - Pairwise consistency tests for RSA, DSA, and ECDSA
 - SP 800-90A DRBG Continuous random number generation tests
 - HASH_DRBG Continuous random number generation test
 - HMAC_DRBG Continuous random number generation test
 - CTR_DRBG Continuous random number generation test
 - Continuous Random Number Generation test for non-approved DRBG (entropy) on 256-bits

The devices perform all power-on self-tests automatically at boot. All power-on self-tests must be passed before each role starts to perform services. The power-on self-tests are performed after the cryptographic systems are initialized but prior to the initialization of the LAN's interfaces; this prevents the AP's from passing any data during a power-on self-test failure.

2.6 Physical Security

The cryptographic modules entirely contained within production-grade enclosure. The chassis of the modules have removable covers.

3 Secure Operation

The switches meet all the overall Level 1 requirements for FIPS 140-2. Follow the setup instructions provided below to place the modules in FIPS-approved mode. Operating this Switches without maintaining the following settings will remove the modules from the FIPS approved mode of operation.

3.1 System Initialization and Configuration

1. Login through the management port with the default username is “cisco”; the default password is the serial number of the switch chassis. The CO must change the password for consecutive login.
2. The CO must create the “enable” password for the CO role. Procedurally, the password must be at least 8 characters, including at least one letter and at least one number, and is entered when the CO first engages the “enable” command. The CO enters the following syntax at the “#” prompt:

```
Switch(config)# enable secret [PASSWORD]
```

3. The CO must always assign passwords (of at least 8 characters, including at least one letter and at least one number) to users. Identification and authentication on the console/auxiliary port is required for Users. From the “configure terminal” command line, the CO enters the following syntax:

```
Switch(config)# line con 0
```

```
Switch(config)# password [PASSWORD]
```

```
Switch(config)# login local
```

4. The value of the boot field must be 0x0102. This setting disables break from the console to the ROM monitor and automatically boots. From the “configure terminal” command line, the CO enters the following syntax:

```
config-register 0x0F
```

5. Disable Telnet and configuring Secure Shell for remote command line:

```
Switch(config)# line vty line_number [ending_line_number]
```

or

```
Switch(config)# transport input ssh
```

6. Disable the following interfaces by configuration:

- a. USB 3.0

```
Switch(config)# hw-module switch 1 usbflash1 security enable password [password]
```

- b. Wireless Console Access with Bluetooth

```
Switch(config)# hw-module beacon rp active off
```

7. To ensure all FIPS 140-2 logging is received, set the log level:

```
Switch(config)# logging console error
```

8. The CO enables secure stacking (SESA) but configuring the Authorization key:

```
Switch(config)# fips authorization-key <128 bit, i.e, 16 hex byte key>
```

9. The CO may configure the modules to use RADsec for authentication. If the modules are configured to use RADsec, the Crypto Officer must define RADIUS or shared secret keys that are at least 8 characters long, including at least one letter and at least one number.
10. The CO shall only assign users to a privilege level 1 (the default).
11. The CO shall not assign a command to any privilege level other than its default.